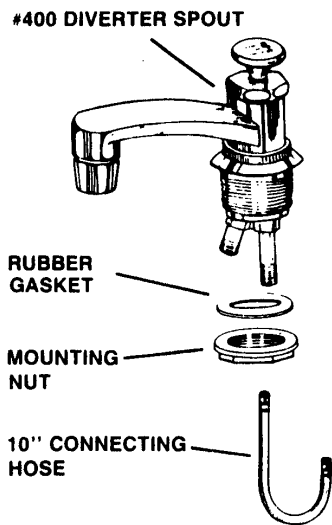
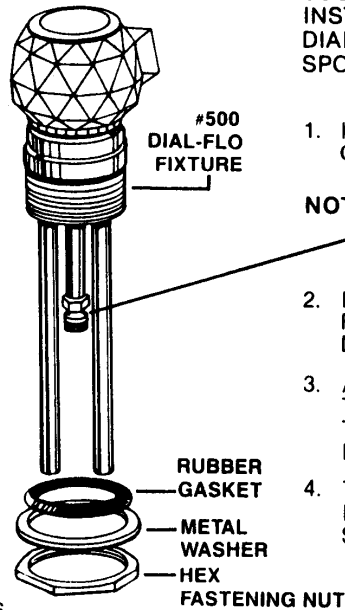


FIXTURE INSTALLATION INSTRUCTIONS

500 DIAL-FLO with 400 DIVERTER SPOUT



NOTICE TO INSTALLER: BEFORE INSTALLING THESE FIXTURES, YOU MUST FLUSH ALL WATER LINES SO THAT DEBRIS IN YOUR LINES DOES NOT GET INTO THE FIXTURES CAUSING THEM TO LEAK. IF THIS IS NOT DONE, ALL WARRANTY IS VOID.



SUGGESTED PROCEDURE FOR INSTALLATION, IS TO SECURE 500 DIAL-FLO FAUCET AND 400 DIVERTER SPOUT TO BOWL PRIOR TO MOUNTING.

1. INSERT FIXTURE WITH RUBBER GASKET THROUGH TOP OF BOWL.

NOTE: MAKE SURE THAT WATER SUPPLY OUTLET IS FACING TO FRONT OF BOWL.

2. REPEAT ABOVE PROCEDURES FOR INSTALLATION OF 400 DIVERTER SPOUT.
3. ATTACH 10" CONNECTING HOSE TO LONG NIPPLE ON DIVERTER AND TO THE WATER SUPPLY OUTLET ON FIXTURE.
4. THREAD SPRAY HOSE THROUGH RECEIVER CAP AND ATTACH TO SHORT NIPPLE ON DIVERTER SPOUT.