

# Shampoo Bowls

## 8600 PIVOTING SHAMPOO BOWL

### 8600 BACKWASH SHAMPOO BOWL WITH VACUUM BREAKER AND MODEL 522 FIXTURE INSTALLATION AND PLUMBING

**NOTE:** To familiarize yourself with the various components, please read instructions through before starting.

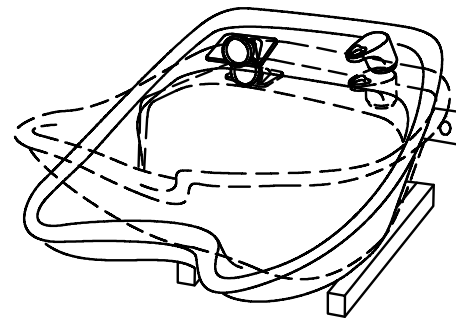
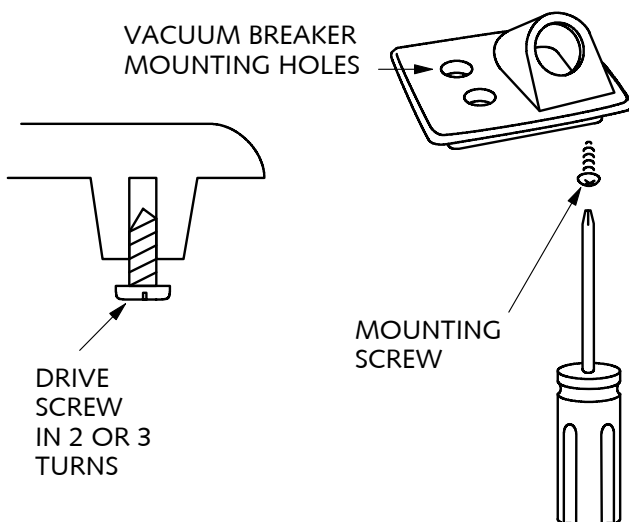
1. Attach the fixture to the bowl according to the instructions packed with the fixture.

#### TO ATTACH HOSE RECEIVER TO BOWL (STEPS 2 thru 6).

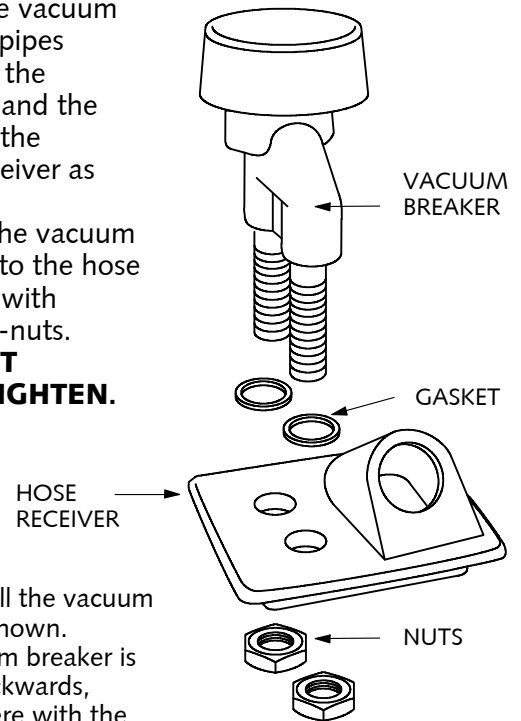
2. To make hose receiver installation easier, complete these steps to cut screw threads in the mounting holes:
  - Take a mounting screw and drive it 2 or 3 turns into one hole. **DO NOT OVERTIGHTEN.**
  - Remove the screw.
  - Repeat for all four (4) mounting holes.

If the bowl is *not* equipped with a vacuum breaker, proceed to Step 4.

**\*NOTE:** If you ordered a vacuum breaker, your hose receiver will have two holes for mounting the vacuum breaker.

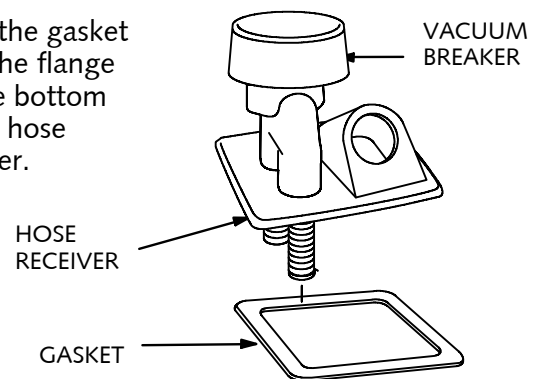


3. Place the vacuum breaker pipes through the Gaskets and the holes in the hose receiver as shown. Secure the vacuum breaker to the hose receiver with two hex-nuts. **DO NOT OVERTIGHTEN.**



**NOTE:** Install the vacuum breaker as shown. If the vacuum breaker is installed backwards, it will interfere with the Spray.

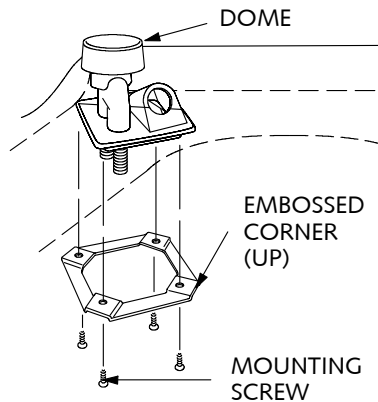
4. Place the gasket over the flange on the bottom of the hose receiver.



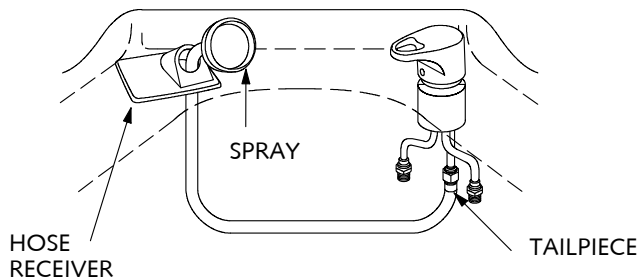
**Belvedere USA LLC**

One Belvedere Boulevard, Belvedere, Illinois 61008  
Printed in U.S.A. 4001024 Rev. 09-07

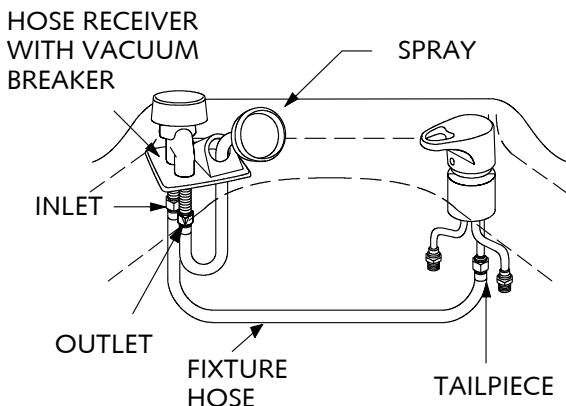
5. Place the hose receiver in the bowl with the large hole in the dome facing the front of the bowl. Install the mounting bracket on the bottom side of the bowl with four (4) embossed corners facing upward, against the bottom of the bowl. Secure with four (4) mounting screws. **DO NOT OVERTIGHTEN.**



6. If your bowl *is not* equipped with a vacuum breaker, attach the Spray Hose connector to the fixture tailpiece.

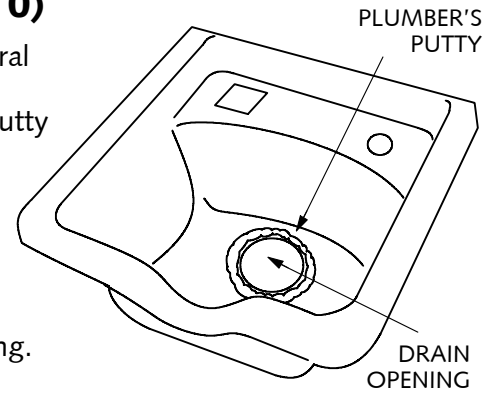


If your bowl *is* equipped with a vacuum breaker, connect one end of the fixture hose to the inlet side of the vacuum breaker. Connect the other end to the fixture tailpiece. Attach the Spray Hose connector to the vacuum breaker outlet.

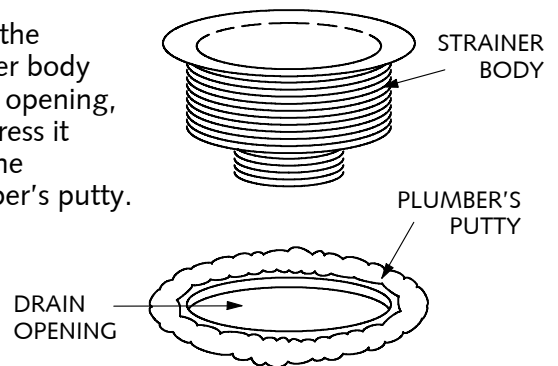


## INSTALLING THE DRAIN ASSEMBLY (STEPS 7-10)

7. Apply a liberal amount of plumber's putty (available at most hardware stores) around the top of the drain opening.

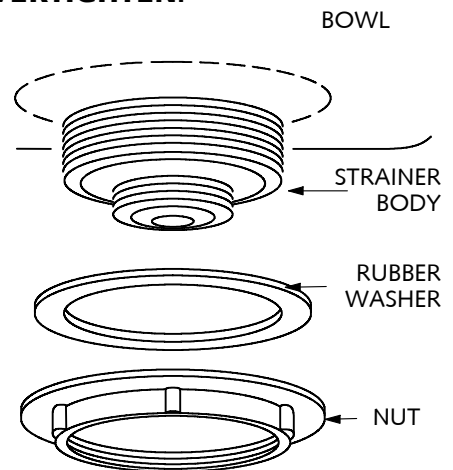


8. Place the strainer body in the opening, and press it into the plumber's putty.

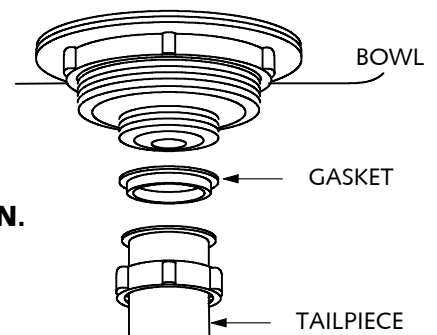


9. From the underside of the bowl, place the Rubber Washer over the Strainer Body. Secure the strainer body with the Nut. **DO NOT OVERTIGHTEN.**

When the Strainer Body is tightened securely to the bowl, clean off any excess plumber's putty.

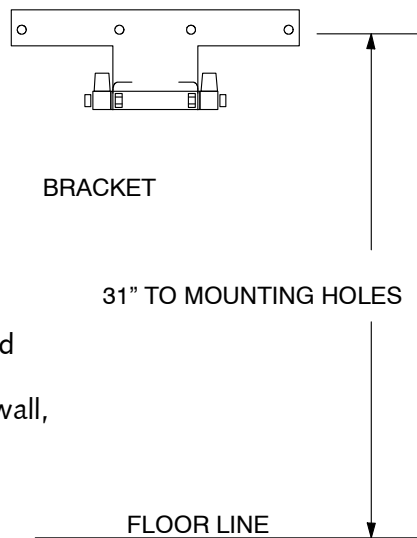


10. Attach the Gasket and Tailpiece to the Strainer Body. **DO NOT OVERTIGHTEN.**

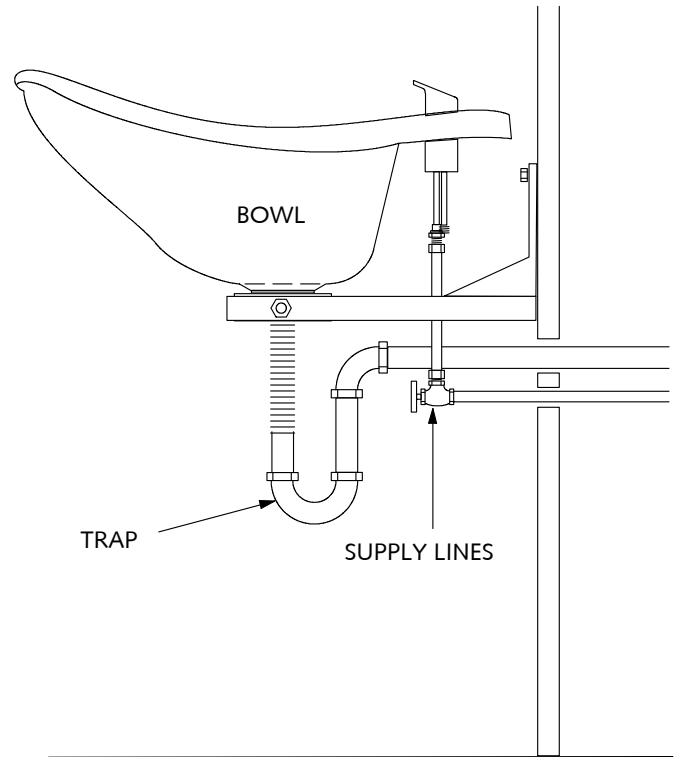


## TO MOUNT THE 8600 BOWL TO THE WALL (STEPS 11 THRU 13)

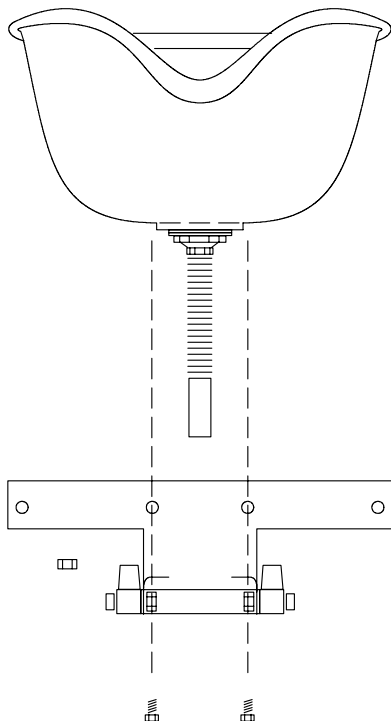
11. Install the wall bracket so that the mounting holes are at 31" from the finished floor. (This bracket height is suggested to obtain the neckrest height suitable for most stylists. The bracket height may be varied to suit personal preference.) Be sure that the bracket is securely fastened to a structural member in the wall, and is level.



13. Connect the fixture to the hot and cold supply lines. The supply lines must be flexible braided hose. Install the flexible drain hose to the trap.



12. Set the bowl onto the bracket and attach using four (4) 1/4"-20 bolts supplied. Make sure the bolts are tight.



## CLEANING INSTRUCTIONS

Paste wax monthly to preserve and protect against common soils. With normal care, your bowl will last many years.

CLEAN ONLY WITH A NON-ABRASIVE LIQUID CLEANER.

Dow Tub & Tile Cleaner®

409®

Mr. Clean®

Fantastic®

DO NOT USE HARSH ABRASIVES

These will dull the sparkling surface.

See back page for rough-in specifications.

**ALL PLUMBING TO BE PLANNED AND PERFORMED BY A QUALIFIED PLUMBER**

## IMPORTANT NOTE:

It is the responsibility of the owner and/or the installer to be sure that the installation conforms to all local plumbing codes and regulations.

## ROUGH-IN PLUMBING SPECIFICATIONS.

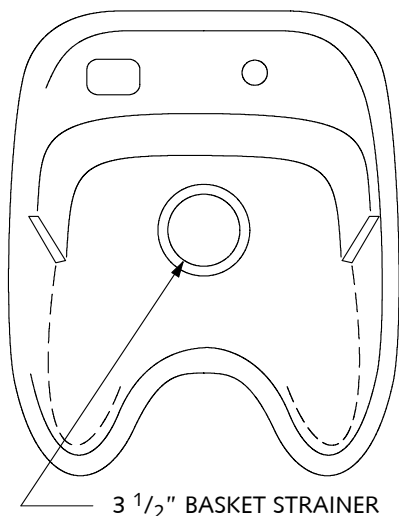
### IMPORTANT NOTE:

This shampoo bowl is designed to be used with the Belvedere SR04 and SR24 Siesta Backwash Shampoo Chairs. It can also be used with Belvedere Reclin-O-Matic shampoo chairs.

**For optimum comfort when the bowl is used with Siesta Backwash Chairs, install the bowl so the neckrest is at 34-3/4" above the finished floor.**

To mount the bowl at these heights, locate the bowl bracket height as shown in these specifications.

TOP VIEW



### CLEANING INSTRUCTIONS

Paste wax monthly to preserve and protect against common soils. With normal care your bowl will last many years.

CLEAN ONLY WITH A NON-ABRASIVE LIQUID CLEANER.

Dow Tub & Tile Cleaner®

409®

Mr. Clean®

Fantastic®

DO NOT USE HARSH ABRASIVES.

These will dull the sparkling surface.

### IMPORTANT! DO NOT OVERTIGHTEN DRAIN ASSEMBLY!

