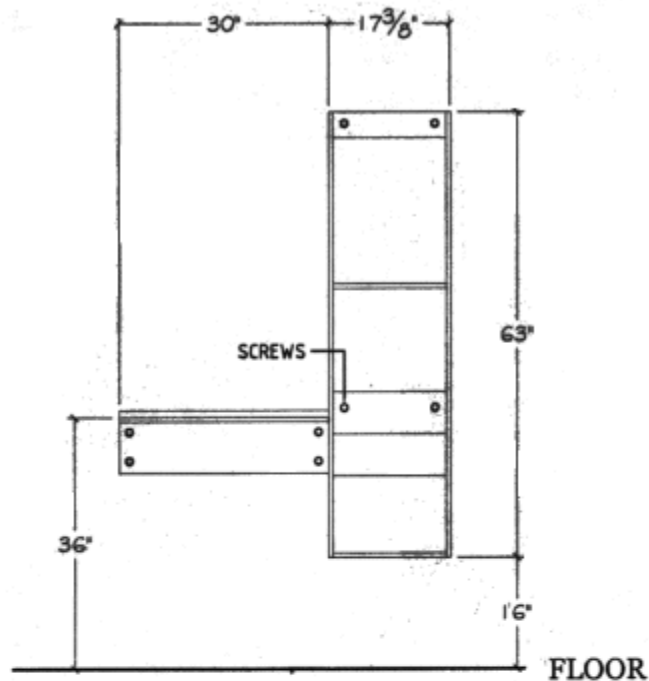


TULSA STATION INSTALLATION SHEET



- 1 - LOCATE STATION BOTTOM 16" ABOVE FINISH FLOOR.
- 2 - INSTALL BY FASTENING STATION WITH MIN. (4) 2½" x #8 SCREWS ATTACHED TO WOOD BLOCKING OR STUDS IN WALL. IF BLOCKING OR STUDS ARE NOT AVAILABLE, USE APPROPRIATE WALL ANCHORS & FASTENERS.
- 3 - ATTACH SHELF TO DRAWER TOWER WITH ENCLOSED CONNECTORS - TAP BARREL PIN INTO LEFT, OUTSIDE HOLES OF TOWER & TURN CAM.
- 4 - SCREW SHELF TO WOOD BLOCKING OR STUDS