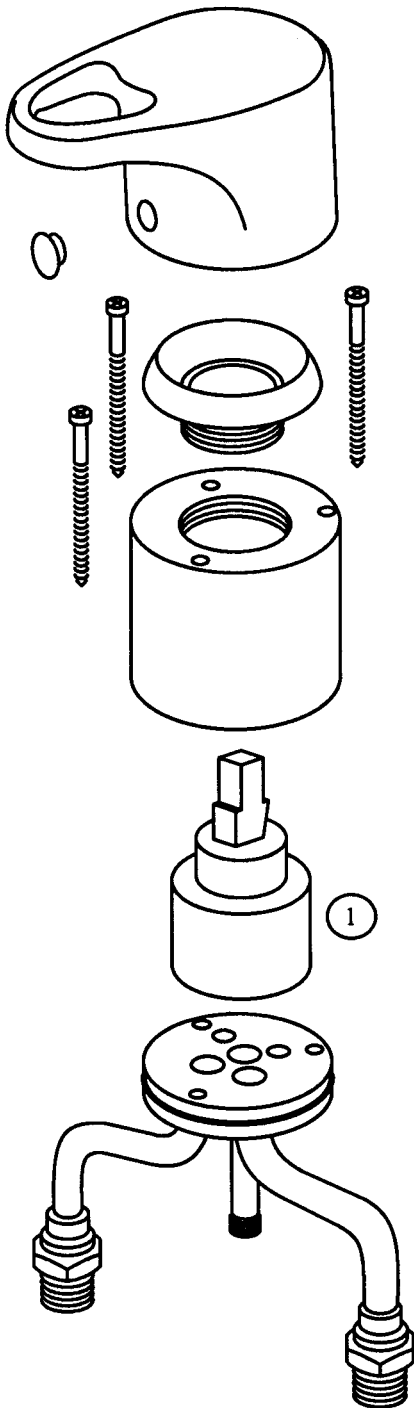


522 FIXTURE

| Bagged Assembly Number | Description |
|------------------------|-------------|
|------------------------|-------------|



5001818 ————— 1 Cartridge

* Not available as service part.