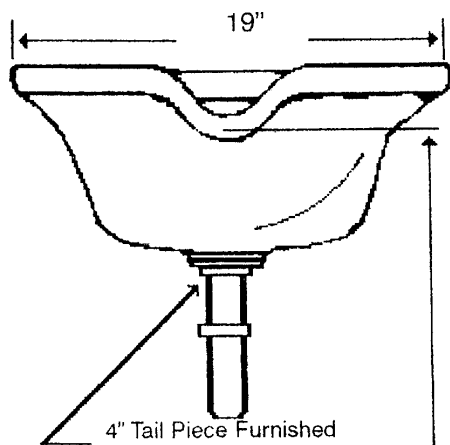


BOWL LUG MUST BE DISENGAGED FROM WALL BRACKET WHEN ADJUSTING LEVELING SCREW DUE TO TAPER LOCK FEATURE BETWEEN BRACKET AND BOWL LUG.

recommends the height as suggested below for hanging bowl at most suitable neckrest height. However, bracket may be located to suit individual preference.



Floor Line

