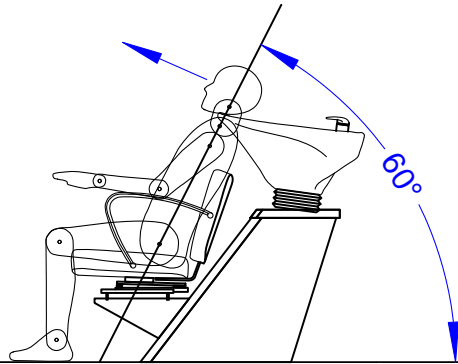


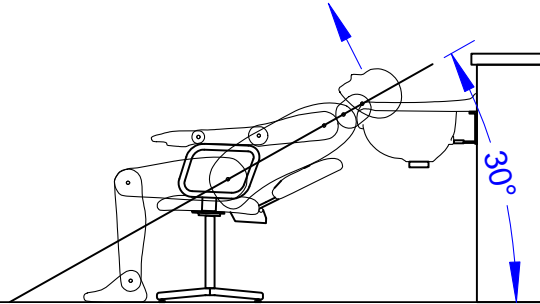
Comparing Backwash & Sidewash Shampoo Positions



Proper Backwash Position:

Client is sitting upright and their lower back is against the seat back

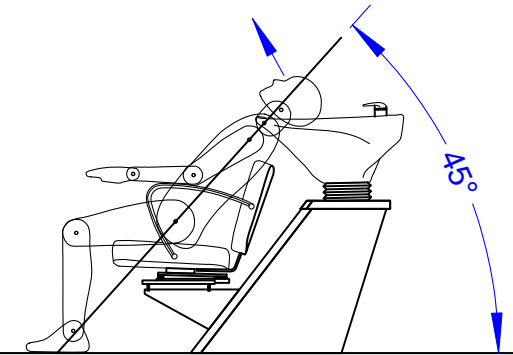
Neck rest height is 34" +/- and the neck is sealed against the neck rest.



Proper side wash position:

Client is reclined with their lower back against the seat back


Neck rest height is 30" +/- and the neck is cradled in the neck rest.



Incorrect backwash position:

Client's back is arched, the lower back is not against the seat back & neck is bent to mimic the reclined position of the sidewash. Water is likely to run down the clients back.

The neck rest is forced downward and the shampoo bowl "horns" contacts the clients shoulders causing the neck to not seal against the neck rest.

 Collins Manufacturing 2000 Bowser Road Cookeville TN 38506		
Customer: Shampoo Technique Comparisons		
Scale:	Order:	Drawn By:
Date:	Mike Bowman, Collins	
		Sheet: C